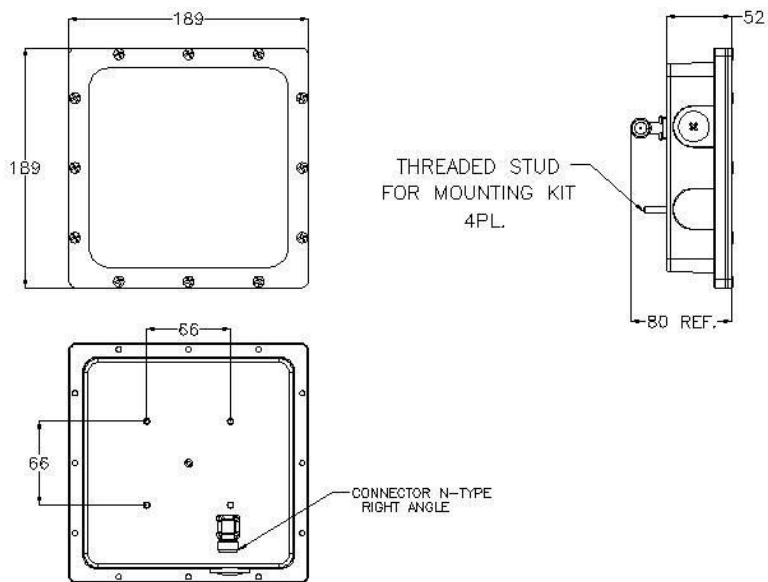


This 902 MHz to 928 MHz 7dBic LHCP forklift antenna is housed in Aluminum with chemical conversion coating enclosure which can protect it from bad environment.

Technical Specifications

Electrical				
Regulatory Compliance	RoHS, CE 0682			
Frequency Range	902 – 928 MHz			
Gain	6.5 dBic (min) 7.5 dBic (max)			
OVSWR	1.3 :1 (typical) , 1.5 : 1 (max)			
Polarization	LHCP			
3DB Elevation Beamwidth	75° (typical)			
3DB Azimuth Beamwidth	75° (typical)			
F/B Ratio	-15 dB (typical)			
Power	6 W (max)			
Input Impedance	50 Ω			
Axial Ratio at Boresight	3.5 dB (max)			
Lightning Protection	DC Grounded			
Mechanical				
Dimensions (L × W × D)	190 × 190 × 30 mm			
Connector	Right angle N-Type female			
Weight	2 kg (max)			
Structure	Flat antenna housed in Aluminum with chemical conversion coating enclosure			
Outline Drawing	RD42815500C			
Environmental				
Test	Standard	Duration	Temperature	Notes

Low Temperature	IEC 68-2-1	72 h	-55 °C	
High Temperature	IEC 68-2-2	72 h	+71 °C	
Temp. Cycling	IEC 68-2-14	1 h	-45 °C to +70 °C	3 Cycles
Thermal Shock NONO-Operating			-30°C to+70°C	Ramp 30 °C/min
Humidity	ETSI EN300-2-4 T4.1E	144 h		95 %
Water Tightness	IEC 529			IP66
Dust Resistance				IP66
Solar Radiation	ASTM G53	1000h		
Ozone Resistance	ETSI 300			
Flammability	UL 94			Class HB
Quasi Random Vibration				20 g rms for 4 hours
Vehicle Vibration Operating	1 grms, 10-500 Hz, in 3 axis			6 hours total, 2 hr in each axis. Accelerated wear-an additional 50hrs in worst case axis.
Mechanical Shock Operating	10 g, 11 msec, half sine pulse			





GAO Group

GAORFID.com
GAOTek.com
GAOResearch.com

Toll Free (USA & Canada)

1-877-585-9555

All Other Areas

416-292-0038

Dial Ext.601 for Sales
Ext.602 for Other Inquiries

sales@GAORFID.com